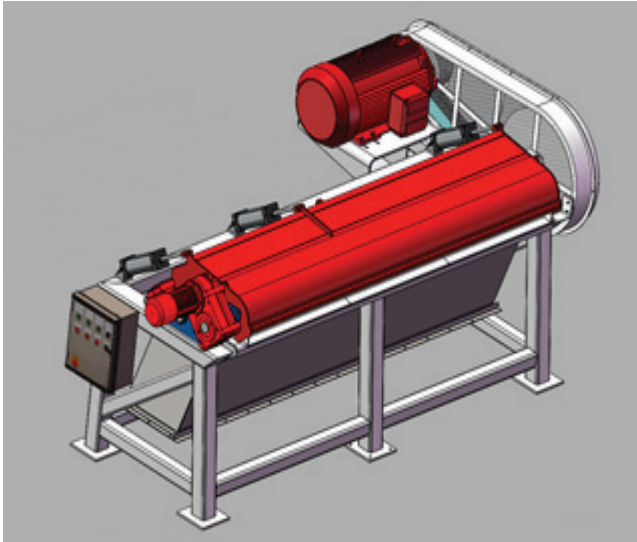




## BOARD BREAKER

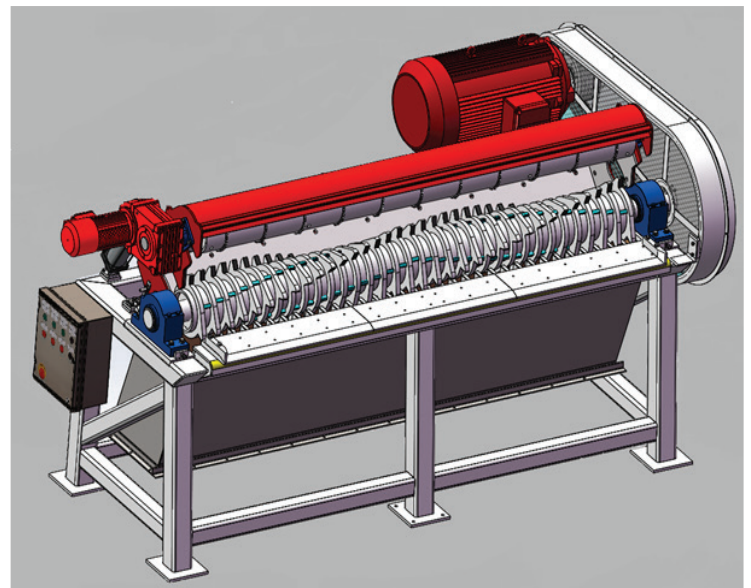


### FEATURES

- / Designed to handle flat sheet reject MDF panels and similar materials
- / Infeed speed varies based on material size
- / Able to handle 1/8" (3mm) to 2" (50mm) and greater thickness materials
- / Can be designed to process any widths of up to 126" (3200mm)
- / Can be designed to process any board lengths from 3' (915mm) to 25' (7620mm)
- / Gear motor driven feed roll with pneumatic tensioning
- / Replaceable infeed and impact anvils

### BENEFITS

- / Rigid mainframe
- / Pneumatic cylinders allow easy access for maintenance
- / Safety switch shuts down machine if access hood opened
- / Flexible design can be configured to work with a variety of lumber handling equipment
- / Simple, extreme duty design for low maintenance costs



To view our Board Breaker video please visit our website [www.mlpmachine.com](http://www.mlpmachine.com)

*Please contact us for more information about this and other planer mill upgrades we offer.*