



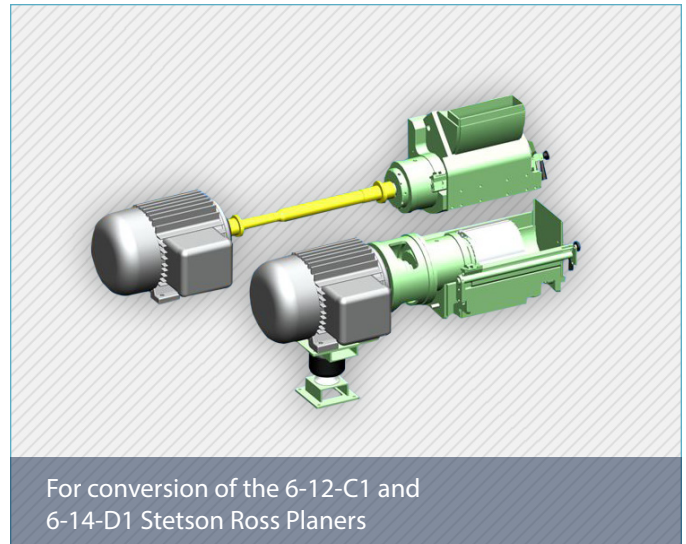
## CANTILEVERED TOP & BOTTOM CUTTER HEAD RETRO FIT KIT

### ALLOWS LARGER CUTTING CIRCLE

The top and bottom cutter head assemblies have been re-engineered to allow for larger heads with more knives that can increase production speeds while continuing to have a quality finished product.

The top cutter head is driven using a cardan drive shaft arrangement while using a direct coupled "C" flange motor on the bottom head.

This in house design allows for a quick change of heads and the ability for knife setting in the grinding room.



### BENEFITS

#### LARGER CUTTING CIRCLE

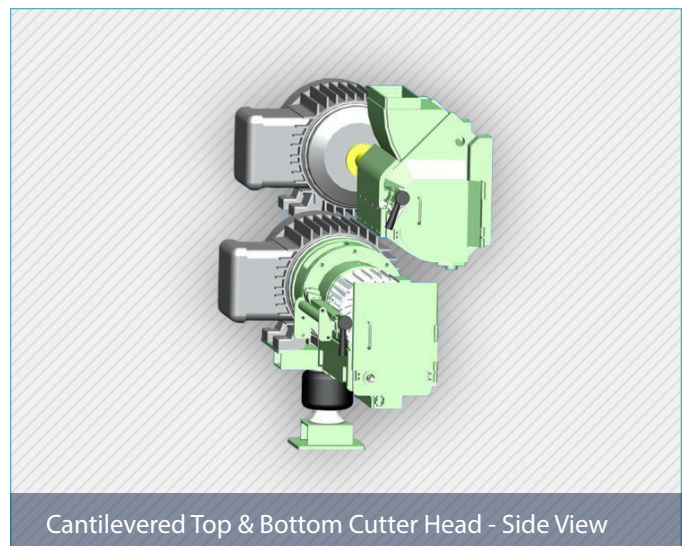
- / Allows for more knives
- / More knife cuts per inch
- / Better finish
- / Easier clearing of jam ups

#### CANTILEVERED CUTTER HEADS

- / Allows for quick change of heads
- / Improves up time
- / Allows for knife setting in the grinding room

#### DRIVE SHAFT ON TOP HEAD

- / Standard off the shelf high efficiency motors are environmentally friendly, clean, cost efficient and easy to maintain
- / Allows more horsepower due to less size restrictions
- / Top head is supported off board reducing stress to the planer



*Please contact us for more information about this and other planer mill upgrades we offer.*