

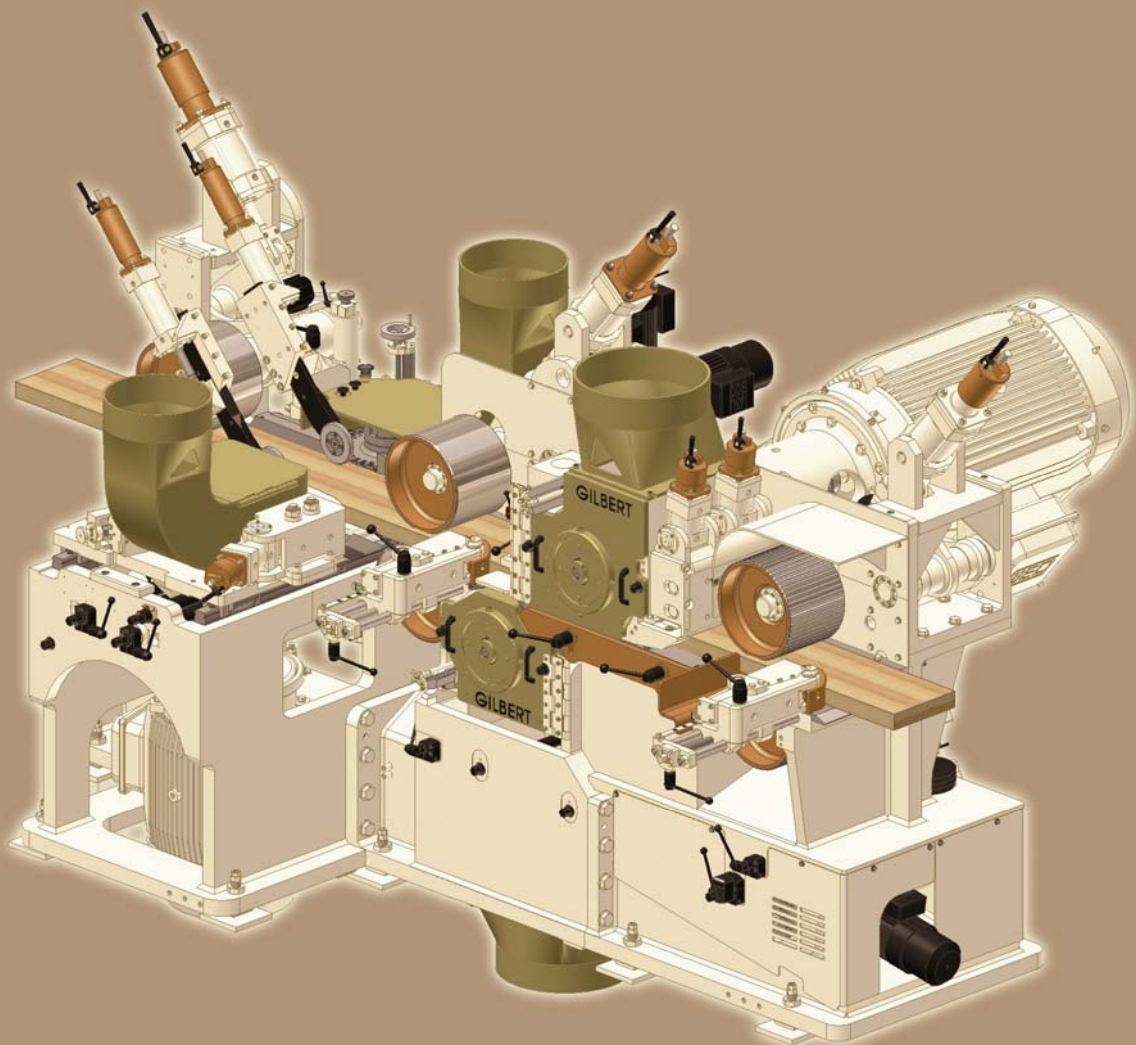
**NEW!**



**GILBERT**

**COMPACT PLANER**

**RESULTS THROUGH INNOVATION**



# New 6 Roll Compact Planer

"A trusted, true high efficiency planer"

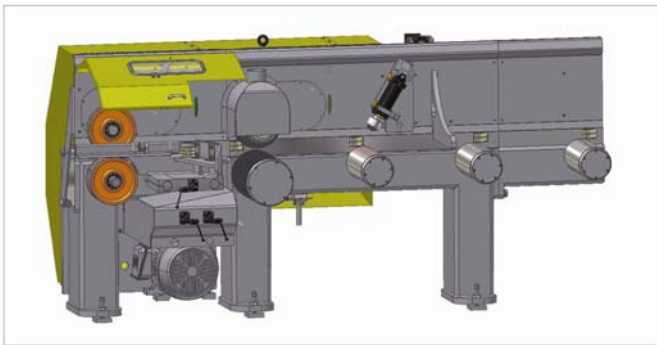


## Improve the quality of your lumber.

The GILBERT Planer requires up to 50% less space than a conventional planer. The GILBERT Planer uses a PULL-THROUGH technology. The planer runs with a gap between each piece of wood. Every piece of wood is dragged through independently from the other, no matter the space between each piece.

- Unique and innovative design
- Sturdy modular frame and easy to maintain
- High feed speed rates up to 2200 FPM
- High productivity (95% and more)
- Rapid return on your investment
- Improves production
- Powered by an electric motorization
- Planing stays visible

### New Planer Infeed Table and Powered Bridge



#### Advantages

- Heavy Duty and easy to adjust.
- High efficiency feed system.
- The pineapple is specially built in a spherical form. This ensures a constant infeed without breaking the fibers in the wood.
- The pineapple's pressure on the wood is controlled by an airbag.
- All the bridge rolls are controlled by the same airbag system.
- The wood does not have to be accumulated before the pineapple. Pieces of wood can be fed one at a time.

### New Compact Planer

#### Modular frame

- All parts move on dovetail and linear bearings.
- Never wears out and is easier to maintain.

#### Double screw system

- The two side heads move together.
- Eliminates all offset defects on both ends of wood.

#### Double balanced feed rolls

- Light pressure on rolls eliminates breakage.
- The airbag absorbs the shocks.
- The airbag system controls the adjustment of pressure on the wood.

#### Holdover rolls

- Eliminates skips on the right side of the wood.

#### Press rolls between side heads

- Eliminates defects on eased edges.

#### Cutterheads

- Hydro-Grip system for easy replacement.
- Up to 36 knives for better quality.

#### Options

- GILBERT Automatic Cutterhead Positioning System: For automatic adjustment of top, bottom, side heads and bedplate.
- Scan & Set : Each board is individually optimized before being planed.
- Profile module.

#### GILBERT Products inc.

605 route de l'Aéroport  
Roberval, Quebec, Canada  
G8H 2M9

Toll free  
1.800.263.1754

T : 1.418.275.5041  
F : 1.418.275.2624

E : sales@gilbert-tech.com  
www.gilbert-tech.com

\*These specifications are subject to change without notice. Protected by one or more of the following patents USA: 6.666.246 / 6.283.353. Other patents pending.